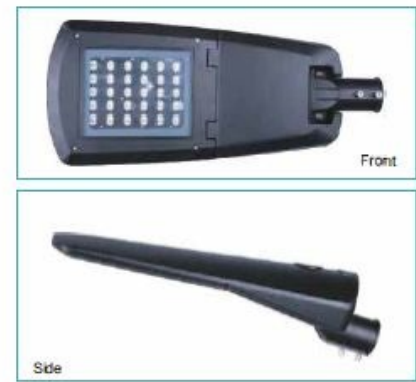




LED Street Light ZHSL-11

Installing Ways:
Both Horizontal and Vertical available
and adjustable angle -10° to 10°

Material:
Die casting Aluminum body ,
Ultra clear tempered glass and PC lens



Product Specification

Product Code	ZHSL-11B-40	ZHSL-11B-50	ZHSL-11B-120
Input Wattage	40W	60W	120W
Color Temperature	3000-6500K	3000-6500K	3000-6500K
Luminous Flux	4400-4800lm	6900-7500lm	13800-15600 lm
Input Voltage	AC90-305V	AC90-305V	AC90-305V
Frequency Range	50/60Hz	50/60Hz	50/60Hz
Power Factor	PF ≥ 0.95	PF ≥ 0.95	PF ≥ 0.95
Color rendering index	Ra ≥ 70	Ra ≥ 70	Ra ≥ 70
Temperature of Working Condition	-40-50°C	-40-50°C	-40-50°C
Humidity of Working Condition	20%-90%RH	20%-90%RH	20%-90%RH
LED Lifetime	50000h	50000h	50000h
Protection Grade	IP66	IP66	IP66
Installation Pipe Diameter	Φ60mm	Φ60mm	Φ60mm
Installation Height	4-8m	6-10m	8-12m
Net Weight	3.5kg	5.3kg	8.8kg
Gross Weight	3.9kg	5.8kg	9.3kg
Packing Size(mm)	600×270×155	695×285×130	850×370×215



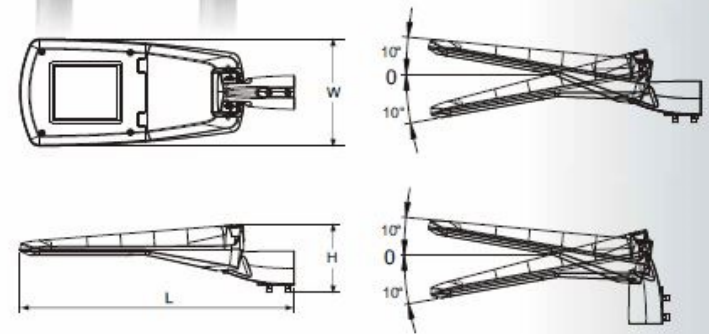
LED Street Light ZHSL-11

Product Description

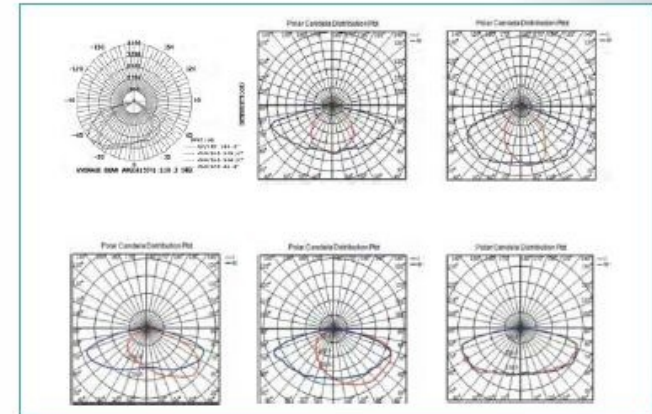
This series is a high-performance street lighting available in three sizes. The luminaire is manufactured from high pressure die-casting aluminum. It shall have a led efficiency up to 120 lm/w and will be capable of producing up to 15600 luminaire lumens at 4000K finished in Grey or black as standard.

IP66 CE ROHS

- Color:**
- Double Grey
 - Sandy Black
 - Matt Silver



Photometric Data



Product Size

Product Code	ZHSL-11-40	ZHSL-11-50	ZHSL-11-120
L (mm)	581	655	785
W (mm)	220	256	320
H (mm)	157	162	180