



ZHSL-13-100

LED Street Light ZHSL-13

Installing Ways:
Both Horizontal and Vertical available
and adjustable angle -15° to 15°

Material:
Die casting body,
Ultra clear tempered glass and PC lens



90 degree installation



Front



Back



Side

Product Specification

Product Code	ZHSL-13-50	ZHSL-13-100	ZHSL-13-150
Input Wattage	50W	100W	150W
Color Temperature	3000-6500K	3000-6500K	3000-6500K
Luminous Flux	5750-6250lm	11500-12500 lm	16500-18750 lm
Input Voltage	AC90-305V	AC90-305V	AC90-305V
Frequency Range	50/60Hz	50/60Hz	50/60Hz
Power Factor	PF ≥ 0.95	PF ≥ 0.95	PF ≥ 0.95
color rendering index	Ra ≥ 70	Ra ≥ 70	Ra ≥ 70
Temperature of Working Condition	-40-50°C	-40-50°C	-40-50°C
Humidity of Working Condition	20%-90%RH	20%-90%RH	20%-90%RH
LED Lifetime	50000h	50000h	50000h
Protection Grade	IP66	IP66	IP66
Installation Pipe Diameter	Φ60mm	Φ60mm	Φ70mm
Installation Height	4-8m	6-10m	8-12m
Net Weight	3.9kg	5.4kg	9.8kg
Gross Weight	4.6kg	6.5kg	11.5kg
Packing Size(mm)	685×285×130	790×340×135	970×415×180



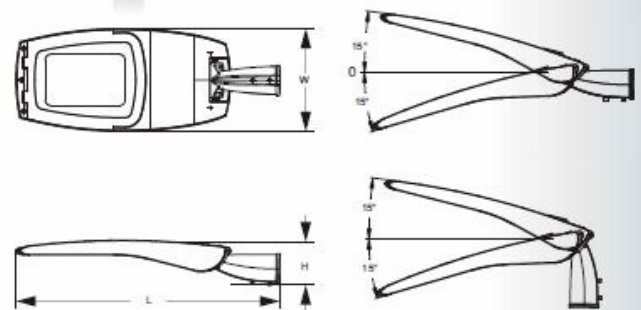
LED Street Light ZHSL-13

Product Description

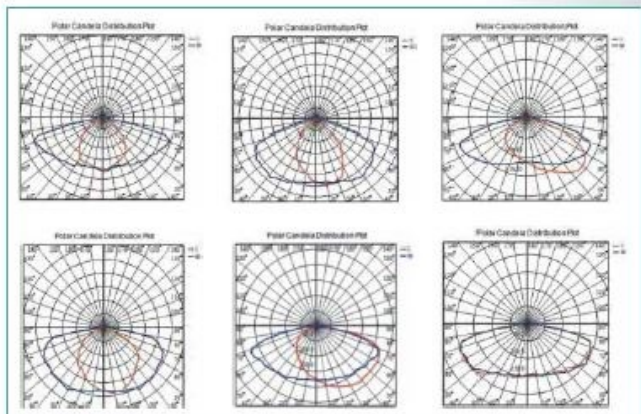
This series is a high-performance street lighting available in three sizes. The luminaire is manufactured from high pressure die-casting aluminum. It shall have a led efficiency up to 120 lm/w and will be capable of producing up to 18000 luminaire lumens at 4000K finished in Grey or black as standard.

IP66 CE ROHS

- Color:**
- Double Grey
 - Sandy Black
 - Matt Silver



Photometric Data



Product Size

Product Code	ZHSL-13-50	ZHSL-13-100	ZHSL-13-150
L (mm)	641	738	923
W (mm)	241	289	360
H (mm)	114	114	150