



ZHSL-14-120



ZHSL-14-80

**LED Street Light ZHSL-14**

**Installing Ways:**  
Both Horizontal and Vertical available and adjustable angle -15° to 15°.

**Material:**  
Die casting Aluminum body  
Ultra clear tempered glass and PC lens



90 degree installation



Front



Back



Side

**Product Specification**

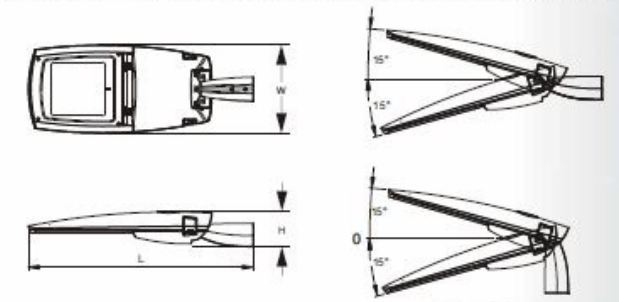
Product Code	ZHSL-14-40	ZHSL-14-80	ZHSL-14-120
Input Wattage	40W	80W	150W
Color Temperature	3000-6500K	3000-6500K	3000-6500K
Luminous Flux	4400-5000 lm	9200-10400 lm	16500-18750 lm
Input Voltage	AC90-305V	AC90-305V	AC90-305V
Frequency Range	50/60Hz	50/60Hz	50/60Hz
Power Factor	PF ≥ 0.95	PF ≥ 0.95	PF ≥ 0.95
color rendering index	Ra ≥ 70	Ra ≥ 70	Ra ≥ 70
Temperature of Working Condition	-40-50°C	-40-50°C	-40-50°C
Humidity of Working Condition	20%-90%RH	20%-90%RH	20%-90%RH
LED Lifetime	50000h	50000h	50000h
Protection Grade	IP66	IP66	IP66
Installation Pipe Diameter	Φ60mm	Φ60mm	Φ70mm
Installation Height	4-7m	6-10m	8-12m
Net Weight	4.6kg	6.0kg	9.8kg
Gross Weight	5.0kg	6.5kg	10.6kg
Packing Size(mm)	660×315×185	770×315×185	800×290×400

**LED Street Light ZHSL-14**

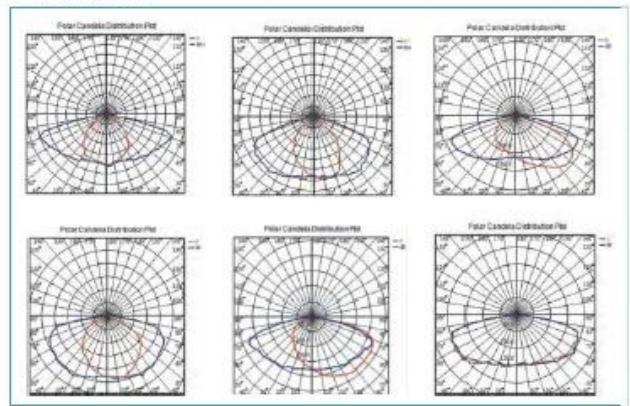
**Product Description**  
This series is a high-performance street lighting available in three sizes. The luminaire is manufactured from high pressure die-casting aluminum. It shall have a led efficiency up to 120 lm/w and will be capable of producing up to 18000 luminaire lumens at 4000K finished in Grey or black as standard.

**IP66 CE ROHS**

- Color:**
- Double Grey
  - Sandy Black
  - Matt Silver



**Photometric Data**



**Product Size**

Product Code	ZHSL-14-40	ZHSL-14-80	ZHSL-14-120
L (mm)	620	738	922
W (mm)	287	289	362
H (mm)	118	118	140