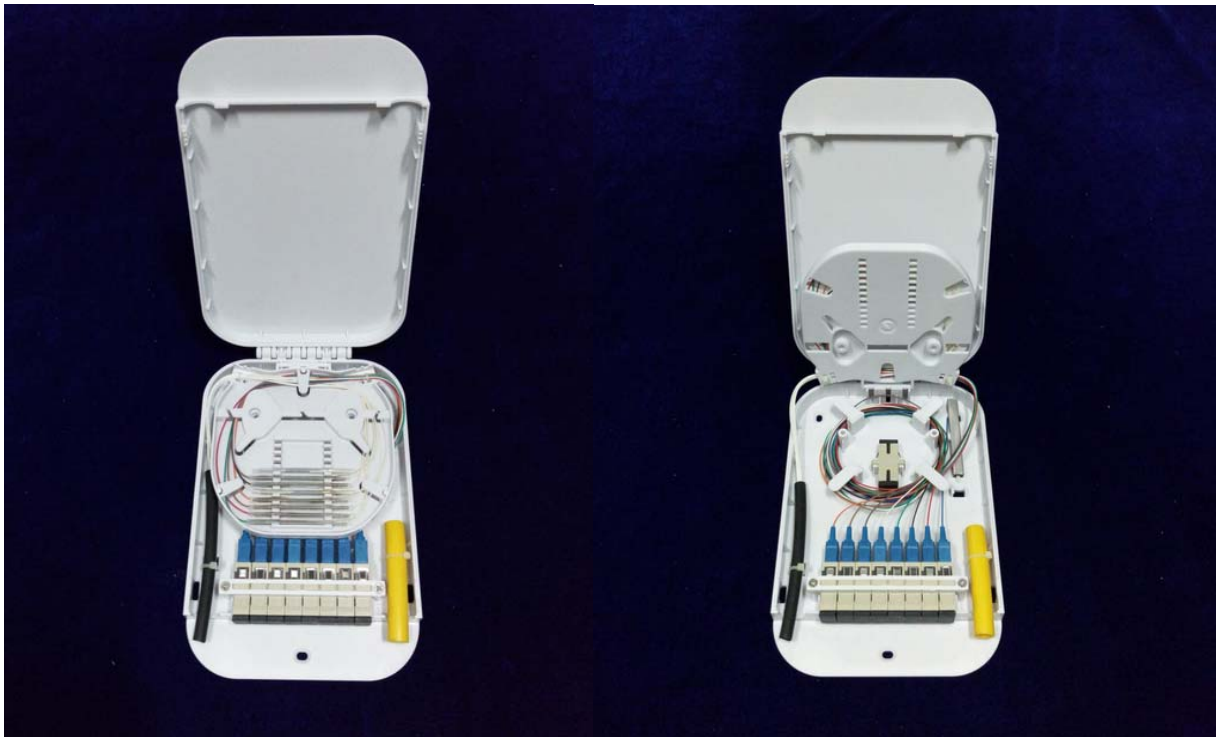


Fiber optic terminal box 8FO Indoor

Description:

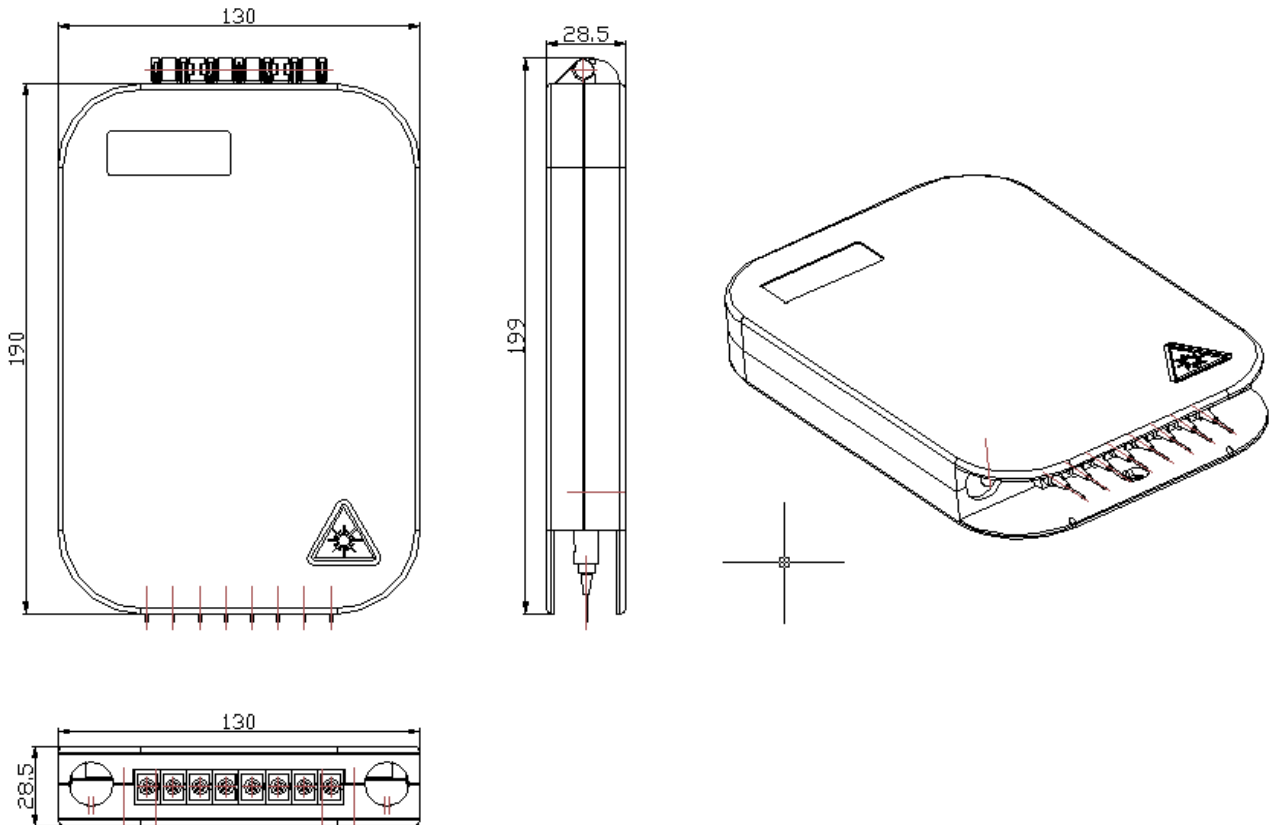
8FO Indoor is used for FTTH, it provide protective connection for fiber optic cable and pigtail. The box is ABS material, mainly use for indoor and corridor installation.



Product Feature:

- 1) 2 cable ports suitable for max. 15mm cable in and out.
- 2) Cable no cutting and direct connection.
- 3) Turnover splice tray for max. 12 fiber splicing.
- 4) Snap-in type, easy to open and close, can repeatable use.
- 5) Can load 1pc 1x8 PLC steel tube type splitter & 1pc SC simplex adapter for input and 8pcs SC simplex adapters for output.

Product dimension:



Dimension drawing (Width 130mm×Height 199mm×Depth 28.5mm)

Accessory:

Item	Specification	Qty	Remark
Heat shrinkable tube	∅ 3.0*60mm	8PCS	
Nylon cable ties	3*120mm	6PCS	
Plastic expansion tubes	∅6	3PCS	
Cross Countersunk head tapping screws	M3.5*25	3PCS	
Adapter	SC simplex	8PCS	optional

Packing Information:

Carton size	Gross weight	Qty
58*46*39CM	25.60 KGS	80PCS/CTN